

## H-DRIVE EHD OPERATOR

EXTRA HEAVY DUTY OPERATORS FOR VERY LARGE SPRING-BALANCED ROLLER SHUTTERS



**HH303M**

The H-Drive EHD range is designed for very large spring-balanced roller shutters up to 100m<sup>2</sup>. Fan-cooled motors and a robust gearbox combine to offer a durable and long service operator to withstand extreme workloads.

### Key Features

- Powerful 3.0Hp motor with purpose designed gearbox for durable, reliable operation
- Ideal for very large spring-balanced roller shutters up to 100m<sup>2</sup>
- Controlled with a Reversing Starter
- Rated for high duty cycle (30% run time)

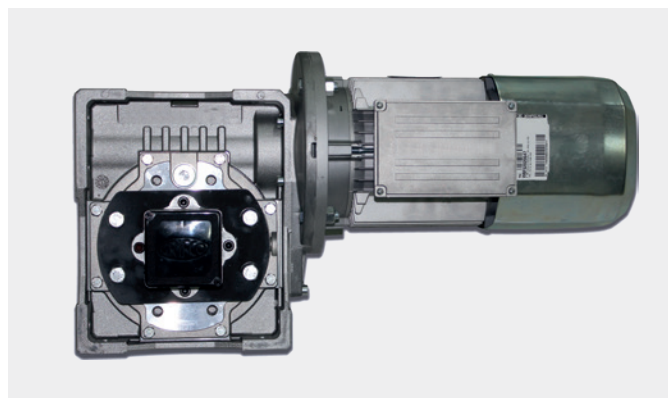
### What's in the Box?

H-Drive EHD Operator.  
All wall controls and mounting hardware available separately.

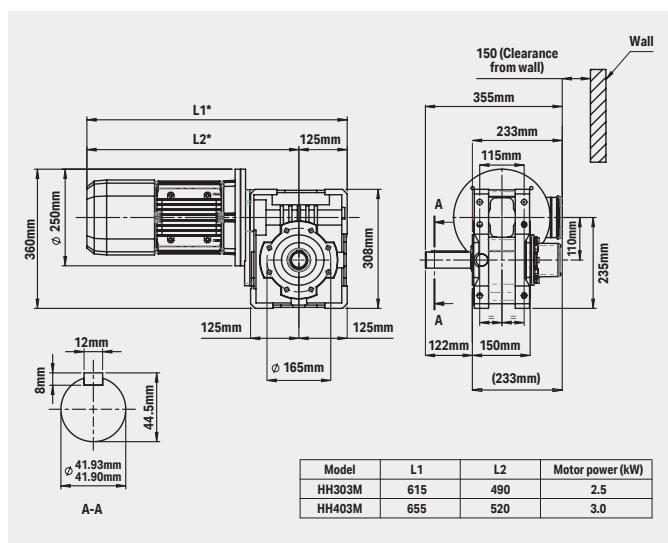
### Information for Roller Shutters

All operators have a recommended maximum Roller Shutter area listed in the specification table. All recommended sizes are based on a "Standard Roller Shutter" (refer below):

- The Shutter is correctly spring-balanced
- The Shutter has  $\leq 1.0\text{mm} \times \geq 100\text{mm}$  slats
- 200mm diameter drum is used
- The Shutter has no wind-locks
- A sprocket ratio  $\geq 4:1$  is used



Product may differ slightly from images shown.



### Model Details

**Part No.** HH303ML (71500L) or HH303MR (71500R)

**Description** H-Drive EHD RSO H/C 3.0Hp 415V 3PH IP55

(L/R) indicates which side of the door opening the motor is mounted to (when viewed from inside the building). For example a model with an "L" suffix is mounted to the top left of the door opening.

### Optional Controller

**Part No.** RG374-LB3E009

**Description** Reversing Starter for basic Up / Stop / Down Control

Controller sold separately. Please refer to the relevant Specification Sheet for details.

### Specifications

**kW** 2.50kW **Phase** 3ph

**Amps** 5.70A **Max SB Door Size** 100m<sup>2</sup>

**Hp** 3.0Hp **IP Rating** IP55

**Voltage** 415V **Duty Cycle** HC

HC = High cycle (30% run time / hour).

### Upgrades

**No Neutral (N)** N/A

**Pre-Wired (P)** N/A

**IP55 (W)** N/A

**Clutch (C)** N/A

Upgrades:  
O = Optional  
S = Supplied as standard  
N/A = Not applicable

GSS-HH303M