

## H-DRIVE HD OPERATOR

HARD-WORKING HEAVY DUTY OPERATORS FOR LARGER SPRING-BALANCED ROLLER SHUTTERS



HH203M

The H-Drive HD range is designed for large spring-balanced roller shutters up to 80m<sup>2</sup>. Fan-cooled motors and efficient gearboxes combine to offer a robust, durable and long service operator. The range includes various specialised models, which include a solenoid brake, dust ignition proof or flameproof motor.

### Key Features

- Powerful 2.0Hp motor with purpose designed gearbox for durable, reliable operation
- Automatic chain-engage mechanism for safe and easy manual operation in the absence of power
- Ideal for larger spring-balanced roller shutters up to 80m<sup>2</sup>
- Choice of controls from Reversing Starters to the E-Drive Logic System for Mechanical Operators (GLM6 portfolio)
- Rated for high duty cycle (30% run time)
- Made in Australia

### What's in the Box?

H-Drive HD Operator.

All wall controls and mounting hardware available separately.

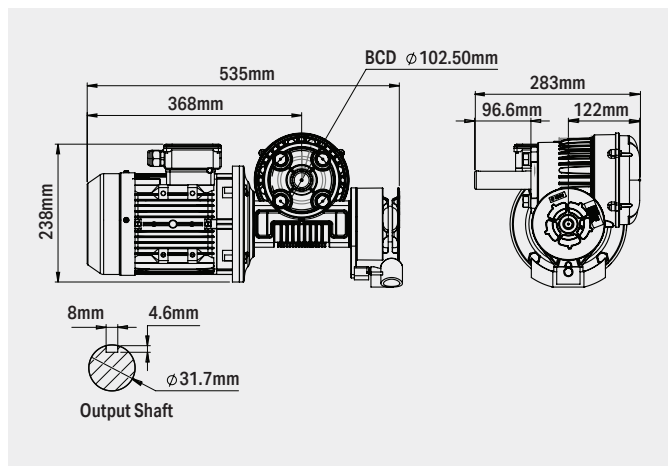
### Information for Roller Shutters

All operators have a recommended maximum Roller Shutter area listed in the specification table. All recommended sizes are based on a "Standard Roller Shutter" (refer below):

- The Shutter is correctly spring-balanced
- The Shutter has ≤ 1.0mm x ≥ 100mm slats
- 200mm diameter drum is used
- The Shutter has no wind-locks
- A sprocket ratio ≥ 4:1 is used



Product may differ slightly from images shown.



### Model Details

**Part No.** HH203ML (75004L) or HH203MR (75004R)

**Description** H-Drive HD RSO H/C 2.0Hp 415V 3PH IP44

(L/R) indicates which side of the door opening the motor is mounted to (when viewed from inside the building). For example a model with an "L" suffix is mounted to the top left of the door opening.

### Optional Controller

**Part No.** RG374-LB3E008

**Description** Reversing Starter for basic Up / Stop / Down Control

Controller sold separately. Please refer to the relevant Specification Sheet for details.

### Specifications

|                |        |                         |                  |
|----------------|--------|-------------------------|------------------|
| <b>kW</b>      | 1.50kW | <b>Phase</b>            | 3ph              |
| <b>Amps</b>    | 3.30A  | <b>Max SB Door Size</b> | 80m <sup>2</sup> |
| <b>Hp</b>      | 2.0Hp  | <b>IP Rating</b>        | IP44             |
| <b>Voltage</b> | 415V   | <b>Duty Cycle</b>       | HC               |

LC = Low cycle (10% run time / hour).  
HC = High cycle (30% run time / hour).

### Upgrades

|                       |     |
|-----------------------|-----|
| <b>No Neutral (N)</b> | N/A |
| <b>Pre-Wired (P)</b>  | N/A |
| <b>IP55 (W)</b>       | N/A |
| <b>Clutch (C)</b>     | N/A |

Upgrades:  
O = Optional  
S = Supplied as standard  
N/A = Not applicable

GSS-HH203M