



Direct Drive Cable Winch

Australian Made Poultry Winches for Feeder / Drinker Applications

W800C1

Poultry Winches / Feeder / Drinker Winches / Direct Drive Cable Winch

Grifco's range of Direct Drive Poultry Winches have been specifically designed for the electric lifting of feed, drink and perch lines in typical poultry sheds. Our winch range is Australian made and independently tested to comply with the stringent requirements of relevant Australian Standards. They are supported by a 5 year warranty and Grifco's national poultry specialist team.

Key Features

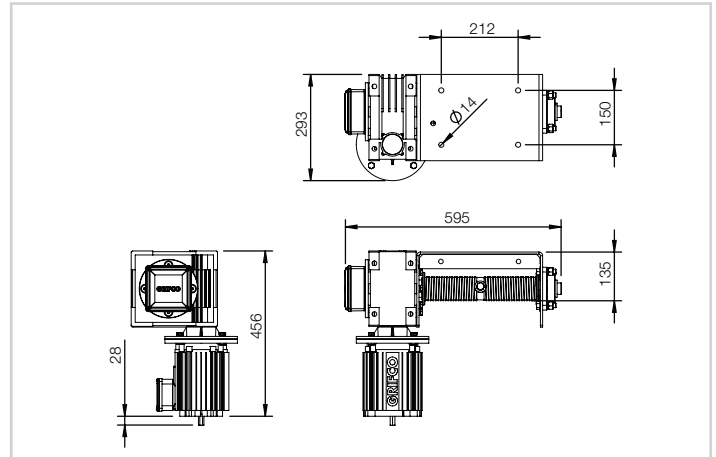
- Designed and tested to perform in corrosive environments
- Meets all applicable regulatory standards. Grifco performs thorough testing to ensure products are safe and compliant
- The high quality motor and gear box are fitted to an Australian made, 6mm rigid steel frame
- Manual override to allow operation in the absence of power
- Built in mechanical limits for perfect positioning every time

What's in the Box?

Direct Drive Cable Winch



Product may differ slightly from image shown.



Product may differ slightly from image shown.

Model Details

Part No.	W800C1
Description	Poultry Cable Winch 800kg 1.0Hp 240V 1PH IP55

Specifications

kW	0.75kW	Phase	1ph
Amps	6.0A	Lifting Capacity	800kg
Hp	1.0Hp	IP Rating	IP55
Voltage	240V	Travel	3.9m

Mounting Plate (optional)

Part No.	Description
WMLMPF	Mounting Plate for Direct Drive Cable Winch



Multi-Station Control Cabinet (optional)

Part No.	Description
MSPC8	Control Cabinet for 8 Winches
MSPC10	Control Cabinet for 10 Winches
MSPC12	Control Cabinet for 12 Winches



Chamberlain Australia Pty Ltd

Head Office - Unit 1, 75 Epping Rd North Ryde NSW 2113
 Manufacturing - 15 Dell Rd, West Gosford NSW 2250

Chamberlain New Zealand Ltd

17A Arrenway Dr, Rosedale 0632 Auckland NZ

AU: 1800 GRIFCO | www.grifco.com.au
 NZ: 0800 653 667 | www.grifco.co.nz

Chamberlain Branches

Sydney - Unit 1, 75 Epping Rd North Ryde NSW 2113
 Melbourne - Unit 18, 85-91 Keilor Park Dr Tullamarine VIC 3043
 Brisbane - Unit 19, 140 Wecker Rd Mansfield QLD 4122
 Perth - 54 Milrose Dr Malaga WA 6090