



Advanced Wall Controller

eDrive +2.0 wall controller with integrated key switch functionality

C43B

Accessories for Commercial Door Operators / Wall Controls / eDrive +2.0 Wall Controls

The Grifco C43B is an advanced wall control compatible with eDrive +2.0 Roller Shutter Operators. It can be used instead of the (supplied) C10A-4 wall controller to provide extra functionality.

Key Features

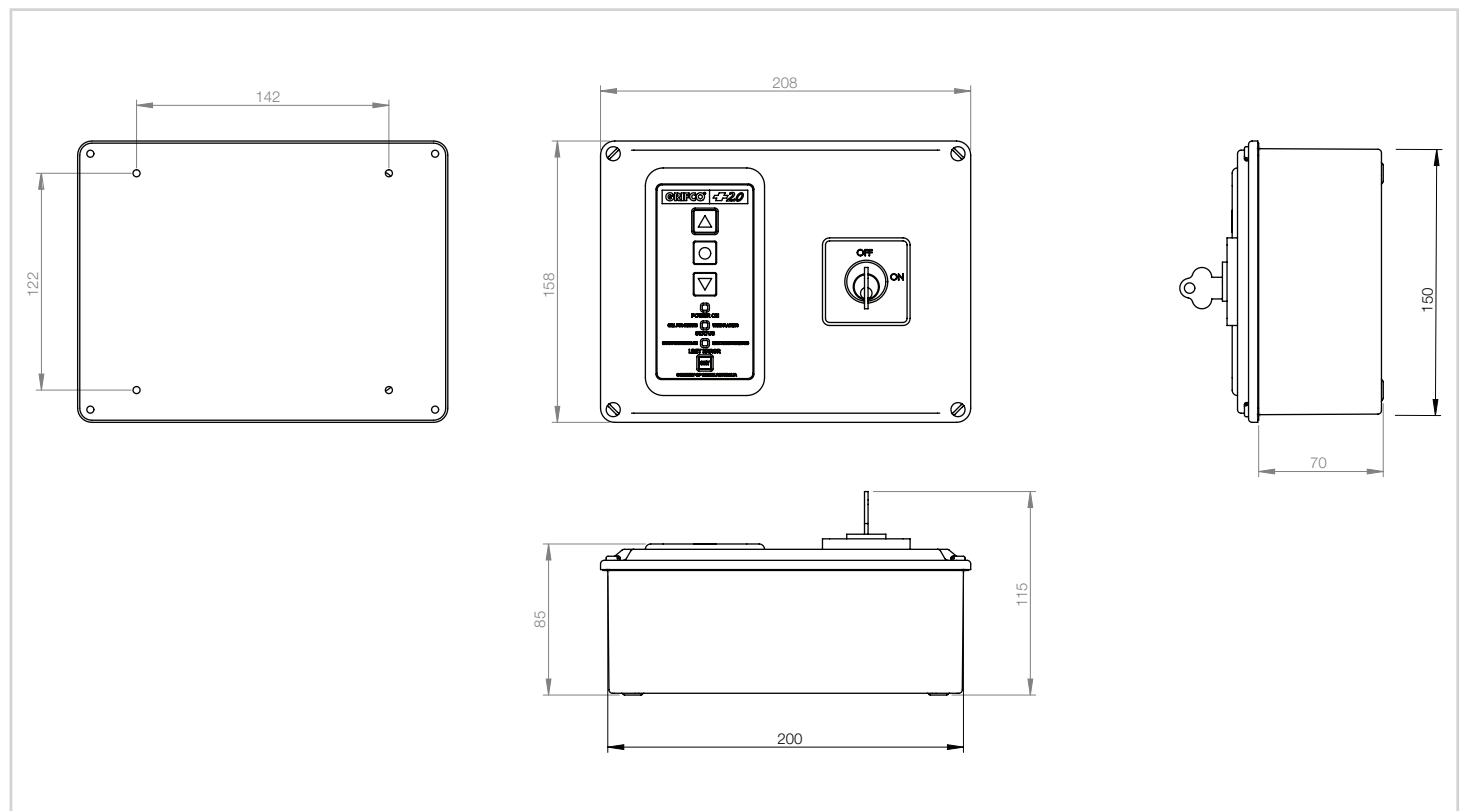
- Robust metal enclosure for durability and longevity
- “Lock it Well” Key Isolator integrated into wall control to allow credentialled isolation of the operator
- “Lock it Well” Key Isolator cylinders are re-keyable

Model Details

Part No.	C43B
Description	eDrive +2.0 Advanced Wall Control with “Lock it Well” Key Isolation. In metal enclosure.



Product may differ slightly from image shown.



Chamberlain Australia Pty Ltd

Head Office - Unit 1, 75 Epping Rd North Ryde NSW 2113
 Manufacturing - 15 Dell Rd, West Gosford NSW 2250

Chamberlain New Zealand Ltd

17A Arrenway Dr, Rosedale 0632 Auckland NZ

AU: 1800 GRIFCO | www.grifco.com.au
 NZ: 0800 653 667 | www.grifco.co.nz

Chamberlain Branches

Sydney - Unit 1, 75 Epping Rd North Ryde NSW 2113
 Melbourne - Unit 18, 85-91 Keilor Park Dr Tullamarine VIC 3043
 Brisbane - Unit 19, 140 Wecker Rd Mansfield QLD 4122
 Perth - 54 Milrose Dr Malaga WA 6090