

eDrive +2.0 Light Commercial

The Industry-Leading Operator for Spring-Balanced Roller Doors and Grilles

RKML5053EF (L/R)

Commercial Door Operators / Light Commercial Roller Door Operators / eDrive +2.0 Light Commercial

The eDrive +2.0 is the industry-standard for quality, durability, adaptability and intelligence. With numerous models to select from (depending on door size and cycles) as well as multiple expansion options the eDrive +2.0 is the logical choice for automating light commercial spring-balanced roller doors and grilles.

Key Features

- Powerful range of motors with purpose designed gearbox for durable, reliable operation
- Intelligent logic system for exceptional adaptability and integration into the building ecosystem
- Optional expansion board for advanced functionality
- Automatic chain-engage mechanism for safe and easy manual operation in the absence of power
- Absolute Position Encoder for reliable door positioning and improved safety. Motor is disconnected the instant the manual hand chain is engaged

What's in the Box?

eDrive +2.0 Operator, C10A-4 Wall Control, Flag Mounting Bracket, Easy Fit Sprocket, Drive Sprocket and Chain, Mounting Hardware

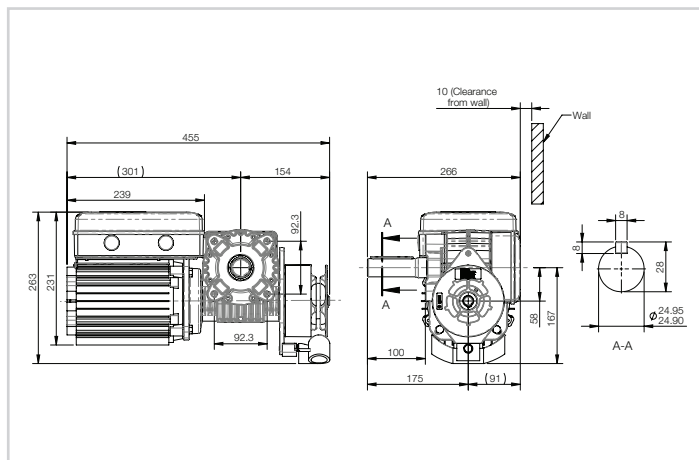
Information for Roller Doors

All operators have a recommended maximum Roller Door area listed in the specification table. All recommended sizes are based on a "Standard Roller Door" (refer below):

- The Door is correctly spring balanced
- The Door is a single piece roller door
- The Door has no wind-locks
- A sprocket ratio $\geq 4:1$ is used



Product may differ slightly from image shown.



Product may differ slightly from image shown.

Model Details

Part No.	RKML5053EF (L/R)
Description	eDrive +2.0 RDO KIT L/C 0.5Hp 415V 3PH C10A-4 IP44 EF-S

(L/R) indicates which side of the door opening the motor is mounted to (when viewed from inside the building). For example a model with an "L" suffix is mounted to the top left of the door opening.

Optional Controller Upgrade

Part No.	EB1
Description	eDrive +2.0 Expansion Board with High Lid

Controller upgrade separately available. Please refer to the relevant Specification Sheet for details.

Specifications

kW	0.37kW	Phase	3ph
Amps	1.55A	Max SB Door Size	26m ²
Hp	0.5Hp	IP Rating	IP44
Voltage	415V	Duty Cycle	LC

LC = Low cycle (10% run time / hour).
 HC = High cycle (30% run time / hour).
 When specifying an upgraded model, please use the appropriate abbreviation before the "L" or "R" handing.
 For example RKML5053EFWR.

Upgrades

No Neutral (N)	<input type="radio"/>
Pre-Wired (P)	<input type="radio"/>
IP55 (W)	<input type="radio"/>
Clutch (C)	<input type="radio"/>

Upgrades:
 O = Optional
 S = Supplied as standard
 N/A = Not applicable

Chamberlain Australia Pty Ltd
 Head Office - Unit 1, 75 Epping Rd North Ryde NSW 2113
 Manufacturing - 15 Dell Rd, West Gosford NSW 2250

Chamberlain New Zealand Ltd
 17A Arrenway Dr, Rosedale 0632 Auckland NZ

AU: 1800 GRIFCO | www.grifco.com.au
NZ: 0800 653 667 | www.grifco.co.nz

Chamberlain Branches
 Sydney - Unit 1, 75 Epping Rd North Ryde NSW 2113
 Melbourne - Unit 18, 85-91 Keilor Park Dr Tullamarine VIC 3043
 Brisbane - Unit 19, 140 Wecker Rd Mansfield QLD 4122
 Perth - 54 Milrose Dr Malaga WA 6090