

eDrive +2.0

The Industry-Leading Operator for Spring-Balanced Roller Shutters and Grilles

ML5153SBF (L/R)

Commercial Door Operators / Roller Shutter Operators / eDrive +2.0

The eDrive +2.0 is the industry-standard for quality, durability, adaptability and intelligence. With numerous models to select from (depending on door size and cycles) as well as multiple expansion options the eDrive +2.0 is the logical choice for automating spring-balanced roller shutters and grilles.

Key Features

- Powerful range of motors with purpose designed gearbox for durable, reliable operation
- Intelligent logic system for exceptional adaptability and integration into the building ecosystem
- Dedicated Smoke Baffle Functionality (SBF) for fire panel integration
- Automatic chain-engage mechanism for safe and easy manual operation in the absence of power
- Absolute Position Encoder for reliable door positioning and improved safety. Motor is disconnected the instant the manual hand chain is engaged

What's in the Box?

eDrive +2.0 Operator equipped with Smoke Baffle Functionality (SBF), C10A-4 Wall Control, Mounting Hardware

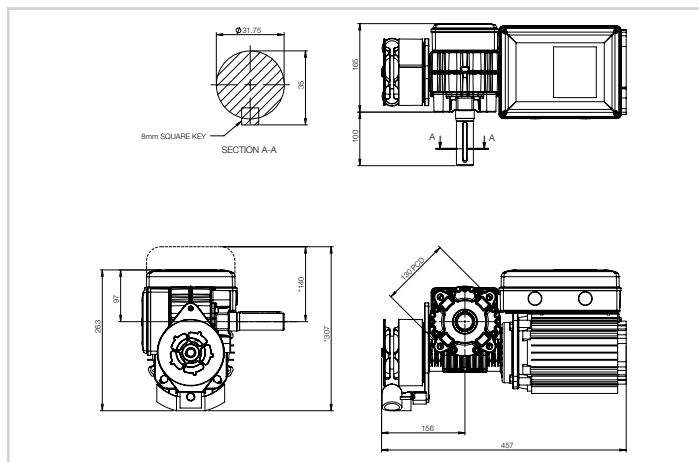
Information for Roller Shutters

All operators have a recommended maximum Roller Shutter area listed in the specification table. All recommended sizes are based on a "Standard Roller Shutter" (refer below):

- The Shutter is correctly spring balanced
- The Shutter has max 1.0mm x min 100mm slats, with a Diameter 150mm drum for shutters max 36m², or Diameter 200mm drum for shutters 36 - 50m²
- The Shutter has no wind-locks
- A sprocket ratio $\geq 4:1$ is used



Product may differ slightly from image shown.



Product may differ slightly from image shown.

Model Details

Part No.	ML5153SBF (L/R)
Description	eDrive +2.0 RSO L/C 1.5Hp 415V 3PH C10A-4 IP44 SBF

(L/R) indicates which side of the door opening the motor is mounted to (when viewed from inside the building). For example a model with an "L" suffix is mounted to the top left of the door opening.

Optional Controller Upgrade

Part No.	C23B
Description	eDrive +2.0 Advanced Wall Control with Key Switch

Controller upgrade separately available. Please refer to the relevant Specification Sheet for details.

Specifications

kW	1.10kW	Phase	3ph	No Neutral (N)	<input type="checkbox"/>
Amps	2.55A	Max SB Door Size	50m ²	Pre-Wired (P)	<input type="checkbox"/>
Hp	1.5Hp	IP Rating	IP44	IP55 (W)	<input type="checkbox"/>
Voltage	415V	Duty Cycle	LC	Clutch (C)	<input type="checkbox"/>

LC = Low cycle (10% run time / hour).

HC = High cycle (30% run time / hour).

When specifying an upgraded model, please use the appropriate abbreviation before the "L" or "R" handing.

For example ML5153SBFWR.

Upgrades

No Neutral (N)	<input type="checkbox"/>
Pre-Wired (P)	<input type="checkbox"/>
IP55 (W)	<input type="checkbox"/>
Clutch (C)	<input type="checkbox"/>

Upgrades:
O = Optional
S = Supplied as standard
N/A = Not applicable

Chamberlain Australia Pty Ltd

Head Office - Unit 1, 75 Epping Rd North Ryde NSW 2113
 Manufacturing - 15 Dell Rd, West Gosford NSW 2250

Chamberlain New Zealand Ltd

17A Arrenway Dr, Rosedale 0632 Auckland NZ

AU: 1800 GRIFCO | www.grifco.com.au
 NZ: 0800 653 667 | www.grifco.co.nz

Chamberlain Branches

Sydney - Unit 1, 75 Epping Rd North Ryde NSW 2113
 Melbourne - Unit 18, 85-91 Keilor Park Dr Tullamarine VIC 3043
 Brisbane - Unit 19, 140 Wecker Rd Mansfield QLD 4122
 Perth - 54 Milrose Dr Malaga WA 6090