

mDrive

A Proven Performer for Spring-Balanced Roller Shutters

ML102M (L/R)

Commercial Door Operators / Roller Shutter Operators / mDrive

mDrive is the proven workhorse. With mechanical limits and the ability to be operated by numerous Grifco wall control options, it can be tailored to the application. It is also available in various specialised models, such as with a solenoid brake, fan-cooled motor or explosion proof.

Key Features

- Powerful 1.0Hp motor with purpose designed gearbox for durable, reliable operation
- Automatic chain-engage mechanism for safe and easy manual operation in the absence of power
- Also available with clutch module for certain applications
- Choice of controls from Reversing Starters to the eDrive +2.0 Logic System for Mechanical Operators (GLMe2 portfolio)
- Full range of peripherals and accessories available

What's in the Box?

mDrive Operator Only. All wall controls and mounting hardware available separately

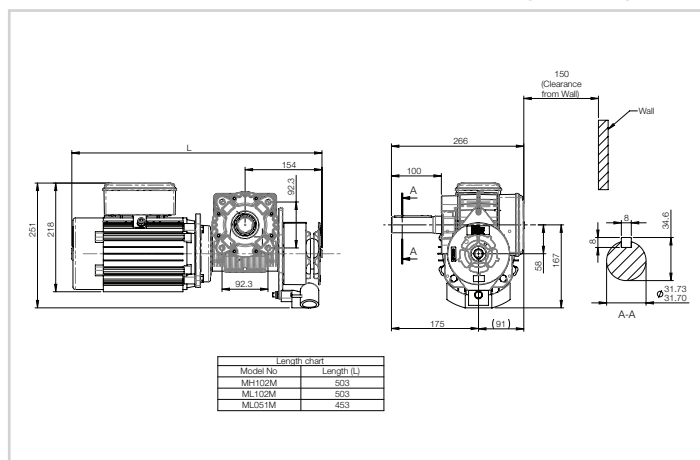
Information for Roller Shutters

All operators have a recommended maximum Roller Shutter area listed in the specification table. All recommended sizes are based on a "Standard Roller Shutter" (refer below):

- The Shutter is correctly spring balanced
- The Shutter has max 1.0mm x min 100mm slats, with a Diameter 150mm drum for shutters max 36m², or Diameter 200mm drum for shutters 36 - 50m²
- The Shutter has no wind-locks
- A sprocket ratio $\geq 4:1$ is used



Product may differ slightly from image shown.



Product may differ slightly from image shown.

Model Details

| | |
|-------------|------------------------------------|
| Part No. | ML102M (L/R) |
| Description | mDrive RSO L/C 1.0Hp 240V 1PH IP44 |

(L/R) indicates which side of the door opening the motor is mounted to (when viewed from inside the building). For example a model with an "L" suffix is mounted to the top left of the door opening.

Optional Controller Upgrade

| | |
|-------------|--|
| Part No. | RG376-LB3E009 |
| Description | Reversing Starter for basic Up / Stop / Down Control |

Controller upgrade separately available. Please refer to the relevant Specification Sheet for details.

Specifications

| | | | |
|---------|--------|------------------|------------------|
| kW | 0.75kW | Phase | 1Ph |
| Amps | 6.00A | Max SB Door Size | 36m ² |
| Hp | 1.0Hp | IP Rating | IP44 |
| Voltage | 240V | Duty Cycle | LC |

LC = Low cycle (10% run time / hour).

HC = High cycle (30% run time / hour).

When specifying an upgraded model, please use the appropriate abbreviation before the "L" or "R" handing. For example ML102MWR.

Upgrades

| | |
|----------------|-----|
| No Neutral (N) | N/A |
| Pre-Wired (P) | N/A |
| IP55 (W) | N/A |
| Clutch (C) | O |

Upgrades:

O = Optional

S = Supplied as standard

N/A = Not applicable

Chamberlain Australia Pty Ltd

Head Office - Unit 1, 75 Epping Rd North Ryde NSW 2113
Manufacturing - 15 Dell Rd, West Gosford NSW 2250

Chamberlain New Zealand Ltd

17A Arrenway Dr, Rosedale 0632 Auckland NZ

AU: 1800 GRIFCO | www.grifco.com.au
NZ: 0800 653 667 | www.grifco.co.nz

Chamberlain Branches

Sydney - Unit 1, 75 Epping Rd North Ryde NSW 2113
Melbourne - Unit 18, 85-91 Keilor Park Dr Tullamarine VIC 3043
Brisbane - Unit 19, 140 Wecker Rd Mansfield QLD 4122
Perth - 54 Milrose Dr Malaga WA 6090